



UMM / UMP Series Accessories for LCD Monitors



- ▶ **Fixed wall mount bracket for LCD monitors**
- ▶ **Swivel and tilt wall mount bracket for LCD monitors**
- ▶ **Easy to install two piece design brackets**
- ▶ **Supports all LCD monitors with a VESA®-compliant pattern**
- ▶ **Mounts support up to 12 kg (26.5 lb)**
- ▶ **Universal power supply compatible with up to 19-inch LCD**
- ▶ **Universal power supply provides 12 VDC / 5.0 A output**

The Bosch series of Universal Monitor Mounts (UMM) are designed to mount any VESA®-compliant monitor to a wall, up to 12 kg (26.5 lb) in weight. The two types of mounts offered in the series of Universal Monitor Mounts (UMM) are the UMM-LW-20B and the UMM-LW-30B.

Each mount comes in two pieces: a VESA®-compliant mounting plate that attaches to the monitor and a V-shaped wall bracket. Once both pieces of the mount are attached, the monitor slides into the V-shaped bracket on the wall, making installation quick and easy. A set screw secures the two sections of the mount together.

The Bosch Universal Power Supply (UMP) is compatible with all Bosch LCD monitors up to 19 inches, and provides a 12 VDC / 5.0 A output.

UMM-LW-30B Swivel/Tilt Wall Mount

The UMM-LW-30B is a swivel/tilt wall mount that is designed for use with any LCD flat-screen, VESA®-compliant monitor, up to 12 kg (26.5 lb) in weight. This mount allows you to swivel the monitor 360 degrees to position it in either landscape or portrait view. The mount also allows you to swivel and tilt the monitor 140 (±70) degrees for the best viewing angle.

UMP-12V5B0-90 Power Supply

The UMP-12V5B0-90 power supply features a 1500 mm (4.92 ft) long DC cord, short circuit protection with auto-recovery function, and a durable ABS Lexan® housing.

Functions

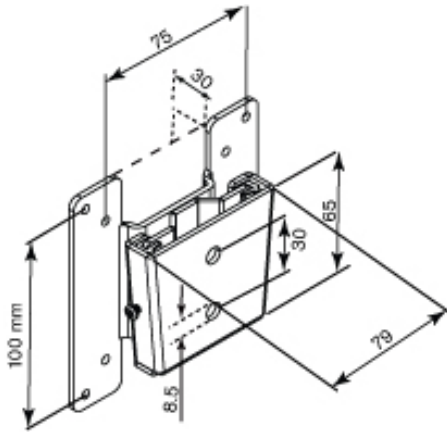
UMM-LW-20B Fixed Wall Mount

The UMM-LW-20B is a fixed wall mount that is designed for use with any LCD flat-screen, VESA®-compliant monitor, up to 12 kg (26.5 lb) in weight. The mount moves the monitor 1.5 cm (0.59 in.) off of the wall.

Installation/Configuration Notes



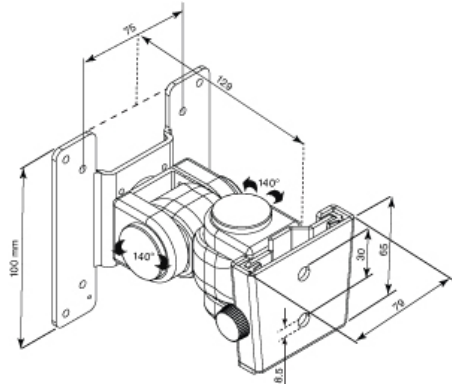
UMM-LW-20B Fixed Wall Mount–Photograph



UMM-LW-20B Fixed Wall Mount–Dimensional Outline



UMM-LW-30B Swivel/Tilt Wall Mount–Photograph



UMM-LW-30B Swivel/Tilt Mount–Dimensional Outline

Parts Included

UMM-LW-20B Fixed Wall Mount Bracket

- 1 VESA® mounting plate, fixed
- 1 Wall bracket
- 2 1/4 x 2.0 in. Wedge anchors (for concrete installations)
- 2 1/2 x 2.0 in. Wood screws
- 4 M4 x 10 mm screws
- 1 Level

UMM-LW-30B Swivel/Tilt Wall Mount Bracket

- 1 VESA® mounting plate with swivel/tilt arm
- 1 Wall bracket
- 2 1/4 x 2.0 in. Wedge anchors (for concrete installations)
- 2 1/2 x 2.0 in. Wood screws
- 4 M4 x 10 mm screws
- 1 5/16 in. Allen Wrench
- 1 Level

Technical Specifications

UMM-LW-20B Fixed Wall Mount Bracket



UMM-LW-20B Fixed Wall Mount—Attached to Monitor

Fixed Wall Mount Bracket (UMM-LW-20B)

Monitor Type	LCD monitors only
Maximum Weight Capacity	12 kg (26.5 lb)
Swivel Adjustment	360°
Material	Steel
Color	Black
Dimensions	See drawing above
Weight	0.47 kg (1.04 lb)

UMM-LW-30B Swivel/Tilt Wall Mount Bracket



UMM-LW-30B Swivel/Tilt Mount—Attached to Monitor

Swivel/Tilt Wall Mount Bracket (UMM-LW-30B)

Monitor Type	LCD monitors only
Maximum Weight Capacity	12 kg (26.5 lb)
Swivel Adjustment	360°
Swivel Range	140° (±70°)
Tilt Range	140° (±70°)
Material	Steel
Color	Black
Dimensions	See drawing above
Weight	0.84 kg (1.86 lb)

UMP-12V5B0-90 Power Supply



Power Supply (UMP-12V5B0-90)

Rated Voltage	120/230 VAC, 50/60 Hz
Voltage Range	90 to 264
Rated Output	12 DC, 5 A
Dimensions (WxHxD)	64 x 31.5 x 110 mm (2.52 x 1.24 x 4.33 in.)
Weight	330 g (0.73 lb)
Material	ABS GE Lexan C2950
Color	Black
Input Power Connector	3-wire IEC
Output Power Connector	DC cord, 1500 mm (4.92 ft), 18 AWG, 2 wire, 5.5 mm plug
Safety	UL, cUL
Protection	Short circuit protection with auto-recovery function

Ordering Information

Accessories

UMM-LW-20B Fixed Wall Mount Fixed wall mount for flat panel LCD monitors, black	UMM-LW-20B
UMM-LW-30B Swivel/Tilt Wall Mount Swivel/Tilt wall mount for flat panel LCD monitors, black	UMM-LW-30B
UMP-12V5B0-90 Power Supply Power supply for monitors, 120/230 VAC, 50/60 Hz, 12 VDC, 5 A	UMP-12V5B0-90

Europe, Middle East, Africa:
Bosch Security Systems B.V.
P.O. Box 80002
5600 JB Eindhoven, The Netherlands
Phone: + 31 40 2577 284
Fax: +31 40 2577 330
emea.securitysystems@bosch.com
www.boschsecurity.com

Americas:
Bosch Security Systems, Inc.
130 Perinton Parkway
Fairport, New York, 14450, USA
Phone: +1 800 289 0096
Fax: +1 585 223 9180
security.sales@us.bosch.com
www.boschsecurity.us

Asia-Pacific:
Bosch Security Systems Pte Ltd
38C Jalan Pemimpin
Singapore 577180
Phone: +65 6319 3450
Fax: +65 6319 3499
apr.securitysystems@bosch.com
www.boschsecurity.com

Represented by