


BOSCH

Invented for life

KBP Series Prepackaged Cameras



- ▶ **General purpose, high performance, and Day/Night cameras**
- ▶ **Various lens options available**
- ▶ **Bilinx bi-directional communication**
- ▶ **Outdoor IP66, NEMA 4X enclosure rating**
- ▶ **Camera and lens are pre-wired into a Bosch housing**
- ▶ **Plug and Play design includes coax and power connectors on rear of the housing**

The KBP Series Prepackaged Cameras are complete surveillance systems that include a camera and lens installed and pre-wired into a Bosch housing plus a color matched wall-mount.

All packages feature Bosch's signature line of Dinion or Dinion^{XF} cameras. Each package offers choices of a varifocal lens to fit a wide range of surveillance applications. Outdoor models are enclosed in a Bosch housing with an IP66, NEMA 4X enclosure rating.

Dinion^{XF} Series offers 15-bit digital video processing, delivering unsurpassed picture performance under even the most difficult light and scene conditions in conjunctions with XF-Dynamic wide dynamic range, which reveals all of the details in ultra high-contrast scenes.

Each camera is equipped with Bosch's innovative Bilinx bi-directional communication for remote programming. Bilinx uses standard video cable to transmit alarm and status messages, providing superior performance and simplified installation.

The true advantage of the Bosch prepackaged cameras lie with the plug-and-play design. Installation is quick and easy, since these units include a factory-installed camera and lens with adjusted back-focus - all of which are pre-wired through the housing base. Coax and power connectors are pre-wired at the end of the housing.

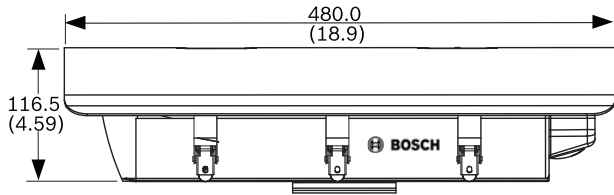
Everything about the KBP Series Prepackaged Cameras, from the installer-friendly design, coupled with the Dinion and Dinion^{XF} Series Cameras and a wide range of options make the KBP Series Prepackaged cameras an ideal solution for every surveillance requirement.

Certifications and Approvals

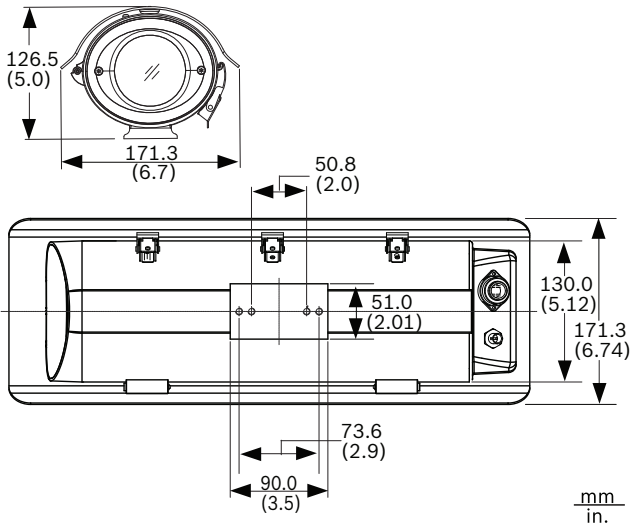
Electromagnetic Compatibility

EMC Immunity	According EN50130-4
EMC Emission	According EN505022 class B
Product Safety	Complies with EN60065

Installation/Configuration Notes



mm
in.



mm
in.

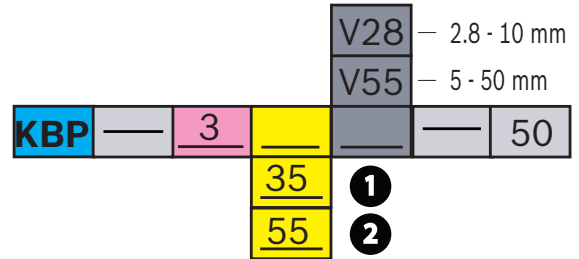
Figure: 1 Dimensions

Ordering Guide

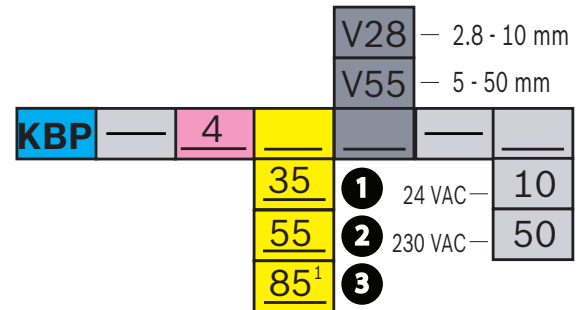
Use the following charts to create your order numbers.

Sample: KBP-485V55-50

KBP	Prepackaged Outdoor Model
485	1/3 in. High Resolution Day/Night
V55	5-50 mm Varifocal Lens
50	230 VAC, 50 Hz



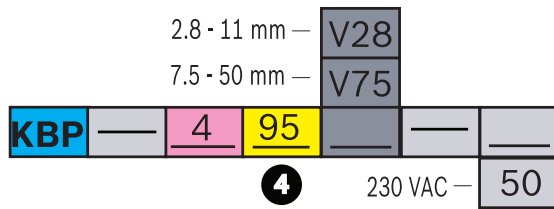
1/3-inch Monochrome Prepackaged Cameras



1/3-inch Color Prepackaged Cameras

NOTE

1 485 model only available in 230 VAC, 50 Hz



1/3-inch Day/Night High Resolution Prepackaged Cameras

Number	Reference
1	1/3 in. standard resolution
2	1/3 in. high resolution
3	1/3 in. high resolution, high sensitivity
4	1/3 in. high performance day/night

Technical Specifications

For a detailed list of camera technical specifications, refer to the appropriate datasheet for additional information.

Electrical

Model No.	Camera Type	Lens	Description
KBP-335V28-50	LTC 0335/50	LTC 3364/41	Standard Res. Mono CCIR, 2.8-12 mm
KBP-335V55-50	LTC 0335/50	LTC 3374/21	Standard Res. Mono CCIR, 5-50 mm
KBP-355V28-50	LTC 0355/50	LTC 3364/41	High Res. Mono CCIR, 2.8-12 mm
KBP-355V55-50	LTC 0355/50	LTC 3374/21	High Res. Mono CCIR, 5-50 mm
KBP-435V28-50	LTC 0435/50	LTC 3364/50	Standard Res. Color PAL, 2.8-10 mm
KBP-435V55-50	LTC 0435/50	LTC 3374/50	Standard Res. Color PAL, 5-50 mm
KBP-435V28-10	LTC 0435/10	LTC 3364/50	Standard Res. Color PAL, 2.8-10 mm
KBP-435V55-10	LTC 0435/10	LTC 3374/50	Standard Res. Color PAL, 5-50 mm
KBP-455V28-50	LTC 0455/51	LTC 3364/50	High Res. Color PAL, 2.8-10 mm
KBP-455V55-50	LTC 0455/51	LTC 3374/50	High Res. Color PAL, 5-50 mm

Model No.	Camera Type	Lens	Description
KBP-455V28-10	LTC 0455/11	LTC 3364/50	High Res. Color PAL, 2.8-10 mm
KBP-455V55-10	LTC 0455/11	LTC 3374/50	High Res. Color PAL, 5-50 mm

Model No.	Camera Type	Lens	Description
KBP-485V28-50	LTC 0485/51	LTC 3364/50	High Res. Color PAL, 2.8-10 mm
KBP-485V55-50	LTC 0485/51	LTC 3374/50	High Res. Color PAL, 5-50 mm
KBP-495V28-50	LTC 0495/51	LTC 3664/40	High Res. Day/Night, Color PAL, 2.8-12 mm
KBP-495V75-50	LTC 0495/51	LTC 3674/20	High Res. Day/Night PAL, 7.5-50 mm

Model	Voltage
KBP-335V28-50, KBP-335V55-50, KBP-355V28-50, KBP-355V55-50, KBP-435V28-50, KBP-435V55-50, KBP-455V28-50, KBP-455V55-50, KBP-485V28-50, KBP-485V55-50, KBP-495V28-50, KBP-495V75-50	230 VAC, 50 Hz
KBP-435V28-10, KBP-435V55-10, KBP-455V28-10, KBP-455V55-10	24 VAC, 50 Hz

Power Consumption

KBP-xxvxx-50	50 W
KBP-xxvxx-10	45 W

Imager Interline transfer CCD 1/3 in. format

Sensitivity (3200 K)	Scene Illumination (Full Video)	Scene Illumination (50 IRE)
----------------------	---------------------------------	-----------------------------

Monochrome		
KBP-335 Series	0.90 lux (0.08 fc)	0.22 lux (0.02 fc)
KBP-355 Series	0.65 lux (0.06 fc)	0.16 lux (0.02 fc)

Color		
KBP-435V28	2.16 lux (0.20 fc)	0.54 lux (0.05 fc)
KBP-435V55	3.18 lux (0.29 fc)	1.72 lux (0.16 fc)
KBP-455V28		
Standard	3.60 lux (0.33 fc)	0.90 lux (0.08 fc)
NightSense	1.44 lux (0.13 fc)	0.36 lux (0.03 fc)
KBP-455V55		
Standard	5.31 lux (0.48 fc)	1.33 lux (0.12 fc)
NightSense	2.12 lux (0.19 fc)	0.53 lux (0.05 fc)

Sensitivity (3200 K)	Scene Illumination (Full Video)	Scene Illumination (50 IRE)		
Color				
KBP-485V28				
Standard	3.3 lux (0.30 fc)	0.80 lux (0.07 fc)		
NightSense	n/a	0.32 lux (0.03 fc)		
KBP-485V55				
Standard	4.81 lux (0.44 fc)	1.18 lux (0.11 fc)		
NightSense	n/a	0.48 lux (0.04 fc)		
Day/Night				
KBP-495 Series				
Color	3.26 lux (0.30 fc)	0.80 lux (0.07 fc)		
Monochrome	n/a	0.11 lux (0.01 fc)		
Sens Up	n/a	0.04 lux (0.003 fc)		
Sens Up Monochrome	n/a	0.01 lux (0.001 fc)		
Sensitivity Up	Off, automatic continuous up to 10x			
Horizontal Resolution				
Monochrome				
KBP-335 Series	380 TVL			
KBP-355 Series	570 TVL			
Color				
KBP-435 Series	330 TVL			
KBP-455 Series, KBP-485 Series	540 TVL			
Day/Night				
KBP-495 Series	540 TVL			
Video Output				
Composite video 1.0 Vpp, 75 Ohm				
Control				
Bilinx bi-directional coaxial communication OSD with softkey operation				
Lenses				
Type Number	Focal Length	Iris Control Range	Iris Control	IR Corrected
LTC 3364/41	2.8 – 12 mm	F1.4 – 360	DC-iris	n/a
LTC 3374/21	5 – 50 mm	F1.4 – 360	DC-iris	n/a
LTC 3364/50	2.8 – 10 mm	F1.4 – 360	DC-iris	n/a
LTC 3374/50	5 – 50 mm	F1.7 – 360	DC-iris	n/a
LTC 3664/40	2.8 – 11 mm	F1.4 – 360	DC-iris	√
LTC 3674/20	7.5 – 50 mm	F1.4 – 360	DC-iris	√

Mechanical**Connectors**

Power Plug

Rear Connectors Type 2x,
4-pin (power)
BNC (video)

Power supply input terminals are isolated from video output terminals.

Housing (UHO-HBPS Series)Dimensions 116.5 x 171.3 x 480.0 mm
(4.59 x 6.74 x 18.9 in.)

Weight (approx.) 4.1 kg (9.04 lb)

Construction Aluminum housing casing, neoprene gaskets, UV-resistant polymer end caps, and all stainless steel hardware

Finish Grey

Window 3 mm (0.12 in.) Thick UV-stabilized polycarbonate

Mounting Four (4), 8 mm (5/16 in.) diameter fasteners (not included) are required for mounting**Feed-through Mount (LTC 9215/00)**

Max Load 9 kg (20 lb)

Size 30 cm (12 in.)

Weight 0.4 kg (0.9 lb)

EnvironmentalOperating Temperature External temperature –40°C to 50°C
(–40°F to 122°F)
Internal temperature –20°C and 55°C
(–4°F to 131°F)

Humidity 0% to 93% relative, non-condensing

Enclosure Protection IP66, NEMA-4X

Delivery The standard delivery includes: CCTV camera with lens and mounting bracket**Accessories**

Heater/Blower Included

Sunshield Included

Wall Mount Included

Pole Mount Adapter LTC 9213/01

Ordering Information**KBP-335V28-50 Monochrome, 2.8–12 mm Varifocal Lens, Unity Camera** **KBP-335V28-50**

Monochrome CCIR camera, 2.8–12 mm varifocal lens, 380 TVL, 230 VAC, 50 Hz

KBP-335V55-50 Monochrome, 5–50 mm Varifocal Lens, Unity Camera **KBP-335V55-50**

Monochrome CCIR camera, 5–50 mm varifocal lens, 380 TVL, 230 VAC, 50 Hz

KBP-355V28-50 Monochrome, 2.8–12 mm Varifocal Lens, Unity Camera **KBP-355V28-50**

Monochrome CCIR camera, 2.8–12 mm varifocal lens, 570 TVL, 230 VAC, 50 Hz

KBP-355V55-50 Monochrome, 5–50 mm Varifocal Lens, Unity Camera **KBP-355V55-50**

Monochrome CCIR camera, 5–50 mm varifocal lens, 570 TVL, 230 VAC, 50 Hz

KBP-435V28-10 Color, 2.8–10 mm Varifocal Lens, Unity Camera **KBP-435V28-10**

Color PAL camera, 2.8–10 mm varifocal lens, 330 TVL, 24 VAC, 50 Hz

KBP-435V28-50 Color, 2.8–10 mm Varifocal Lens, Unity Camera **KBP-435V28-50**

Color PAL camera, 2.8–10 mm varifocal lens, 330 TVL, 230 VAC, 50 Hz

KBP-435V55-10 Color, 5–50 mm Varifocal Lens, Unity Camera **KBP-435V55-10**

Color PAL camera, 5–50 mm varifocal lens, 330 TVL, 24 VAC, 50 Hz

KBP-435V55-50 Color, 5–50 mm Varifocal Lens, Unity Camera **KBP-435V55-50**

Color PAL camera, 5–50 mm varifocal lens, 330 TVL, 230 VAC, 50 Hz

KBP-455V28-10 Color, 2.8–10 mm Varifocal Lens, Unity Camera **KBP-455V28-10**

Color PAL camera, 2.8–10 mm varifocal lens, 540 TVL, 24 VAC, 50 Hz

KBP-455V28-50 Color, 2.8–10 mm Varifocal Lens, Unity Camera **KBP-455V28-50**

Color PAL camera, 2.8–10 mm varifocal lens, 540 TVL, 230 VAC, 50 Hz

KBP-455V55-10 Color, 5–50 mm Varifocal Lens, Unity Camera **KBP-455V55-10**

Color PAL camera, 5–50 mm varifocal lens, 540 TVL, 24 VAC, 50 Hz

KBP-455V55-50 Color, 5–50 mm Varifocal Lens, Unity Camera **KBP-455V55-50**

Color PAL camera, 5–50 mm varifocal lens, 540 TVL, 230 VAC, 50 Hz

KBP-485V28-50 Color, 2.8–10 mm Varifocal Lens, Unity Camera **KBP-485V28-50**

Color PAL camera, 2.8–10 mm varifocal lens, 540 TVL, 230 VAC, 50 Hz

Ordering Information**KBP-485V55-50 Color, 5–50 mm Varifocal Lens, Unity Camera** **KBP-485V55-50**

Color PAL camera, 5–50 mm varifocal lens, 540 TVL, 230 VAC, 50 Hz

KBP-495V28-50 Day/Night, 2.8–12 mm Varifocal Lens, Unity Camera **KBP-495V28-50**

Day/Night PAL camera, 2.8–12 mm varifocal lens, 540 TVL, 230 VAC, 50 Hz

KBP-495V75-50 Day/Night, 7.5–50 mm Varifocal Lens, Unity Camera **KBP-495V75-50**

Day/Night PAL camera, 7.5–50 mm varifocal lens, 540 TVL, 230 VAC, 50 Hz

Americas:

Bosch Security Systems, Inc.
130 Perinton Parkway
Fairport, New York, 14450, USA
Phone: +1 800 289 0096
Fax: +1 585 223 9180
security.sales@us.bosch.com
www.boschsecurity.us

Europe, Middle East, Africa:

Bosch Security Systems B.V.
P.O. Box 80002
5600 JB Eindhoven, The Netherlands
Phone: +31 40 2577 284
Fax: +31 40 2577 330
emea.securitysystems@bosch.com
www.boschsecurity.com

Asia-Pacific:

Bosch Security Systems Pte Ltd
38C Jalan Pemimpin
Singapore 577180
Phone: +65 6319 3450
Fax: +65 6319 3499
apr.securitysystems@bosch.com
www.boschsecurity.com

Represented by