

Instructions for Use



RS-232/485 to BiPhase Converter Transmission standard converter

1.PRODUCT DESCRIPTION

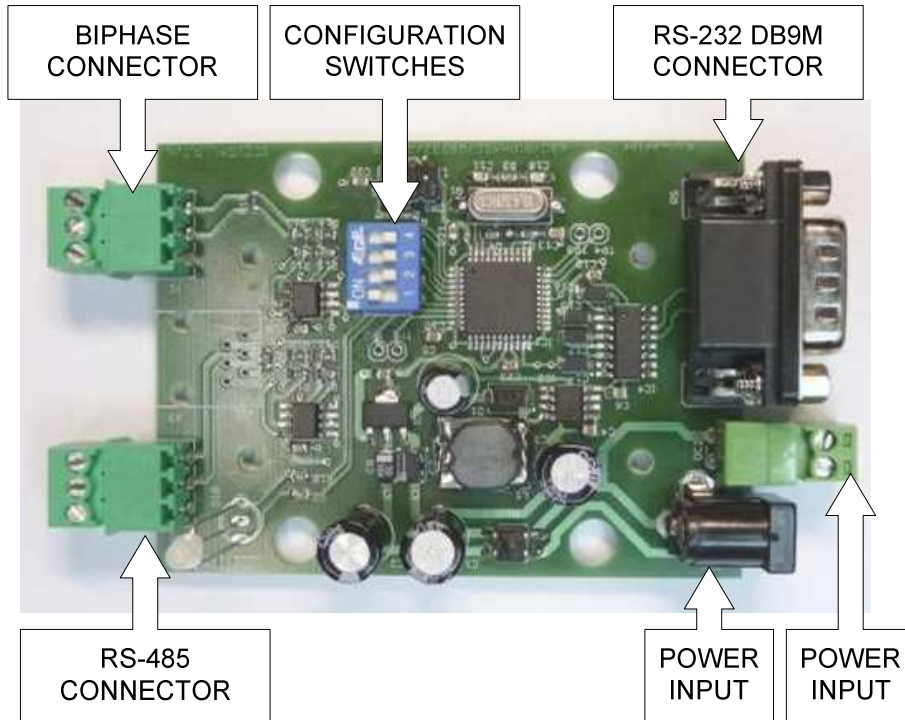
The RS-232/485 to BiPhase Converter is designed to convert Bosch “Receiver/driver and AutoDome RS-232 Control Code Protocol” into Allegiant BiPhase control code. These unit is specifically designed to transform the data output from a Bosch VIP X1 Video-Encoder (or a similar device) into BiPhase control code for operating AutoDome cameras by receiving RS-232/485 format commands and transmitting the appropriate commands in BiPhase format. Internal configuration switches set the RS-232/485 input standard type and baud rate. Top panel indicator show status of power, receive, and transmit.

2.SPECIFICATIONS

SIZE:	92x66x28 mm
POWER:	9 Volt to 24 Volt AC or DC, 100mA
INDICATORS:	Top panel LED: Power, Rx, & Tx,
RS-232 INPUT:	DB9M Connector
RS-485 INPUT:	3-pin screw terminal
BIPHASE OUTPUT:	3-pin Screw terminal
BAUD RATE RS-232/485 CODE:	1200 b/s to 115200 b/s

3.SETTING THE CONFIGURATION SWITCHES

To set the configuration switches, remove the casing which is secured by four screws.



Configuration switches are placed on the main board as shown on the picture above. Switches 1 to 3 are responsible for setting the RS-232/485 baud rate . The following configurations are available:

Switch 1	Switch 2	Switch 3	Baud Rate
OFF	OFF	OFF	1200 b/s
OFF	OFF	ON	2400 b/s
OFF	ON	OFF	4800 b/s
OFF	ON	ON	9600 b/s
ON	OFF	OFF	19200 b/s
ON	OFF	ON	38400 b/s
ON	ON	OFF	57600 b/s
ON	ON	ON	115200 b/s

Switch 4 is responsible for choosing input data source (RS-232 or RS-485). The following configurations are available:

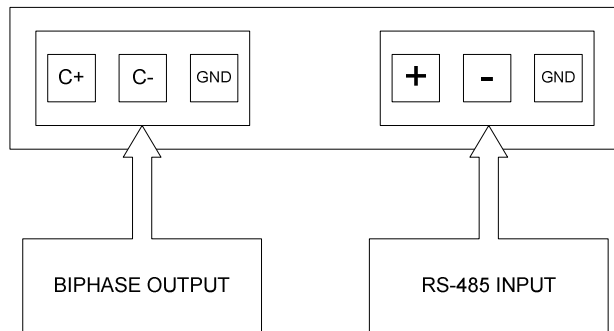
Switch 4	Source
OFF	RS-232
ON	RS-485

The switches can be changed only without power applied. The changes take effect only after unit is powered.

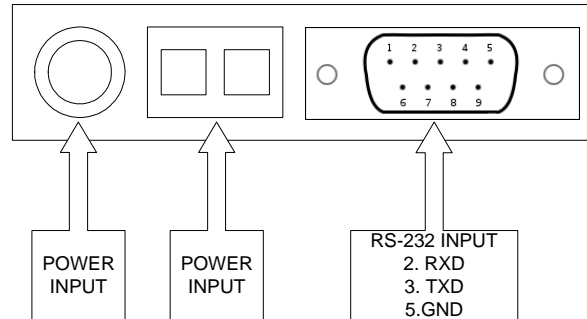
4.INSTALLATION AND POWER

Installing the RS-232/485 to BiPhase Converter unit requires to connect input and output wires. Proper connection to each connector is shown on the graphs below.

FRONT PANEL

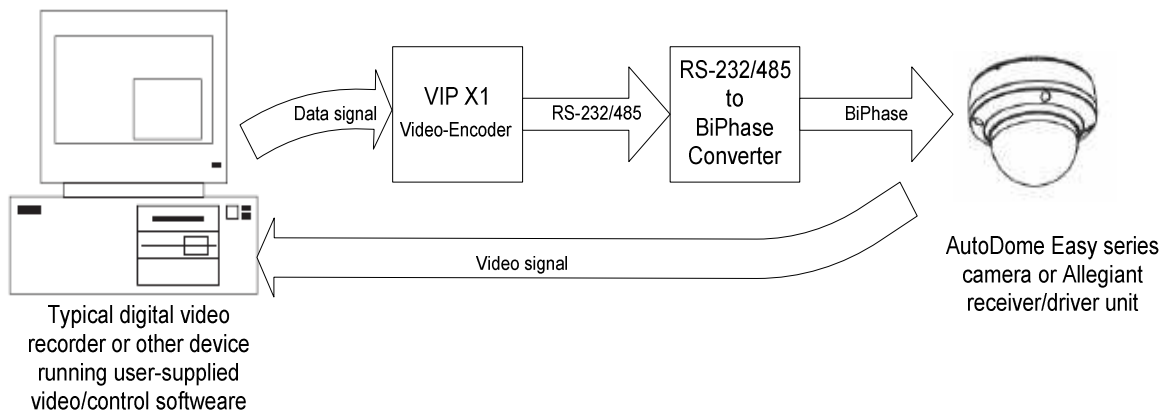


REAR PANEL



A power supply having either a 9-24 V 100mA, AC or DC is required. Two power input connections to the converter unit are available. Both can be used alternatively, and the choice varies depending upon the specific application. Use whichever application is most suitable to your configuration.

5.TYPICAL CONFIGURATION



6.OPERATION

Operation of the code translator is transparent to the user.

The Tx/Rx indicator will flash while biphase code is transmitted. Since Bosch code is repeating, it will flash continuously while a camera is being moved. If there is no Tx/Rx indication, check that the input connections, particularly check whether input wires are not reversed.